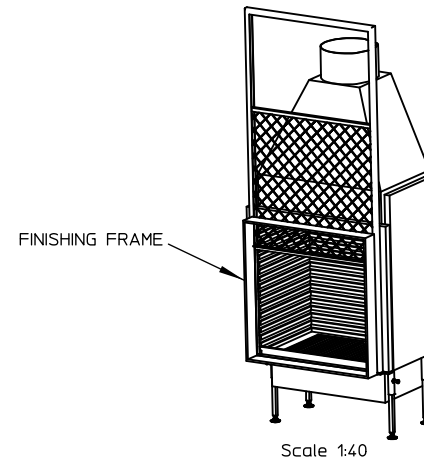
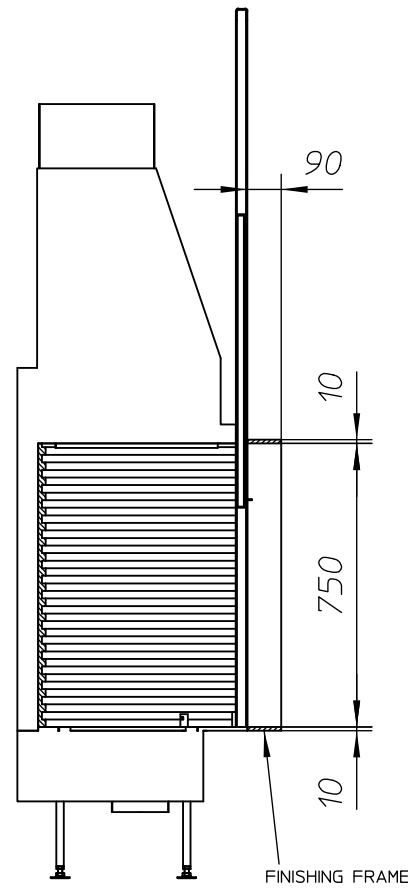
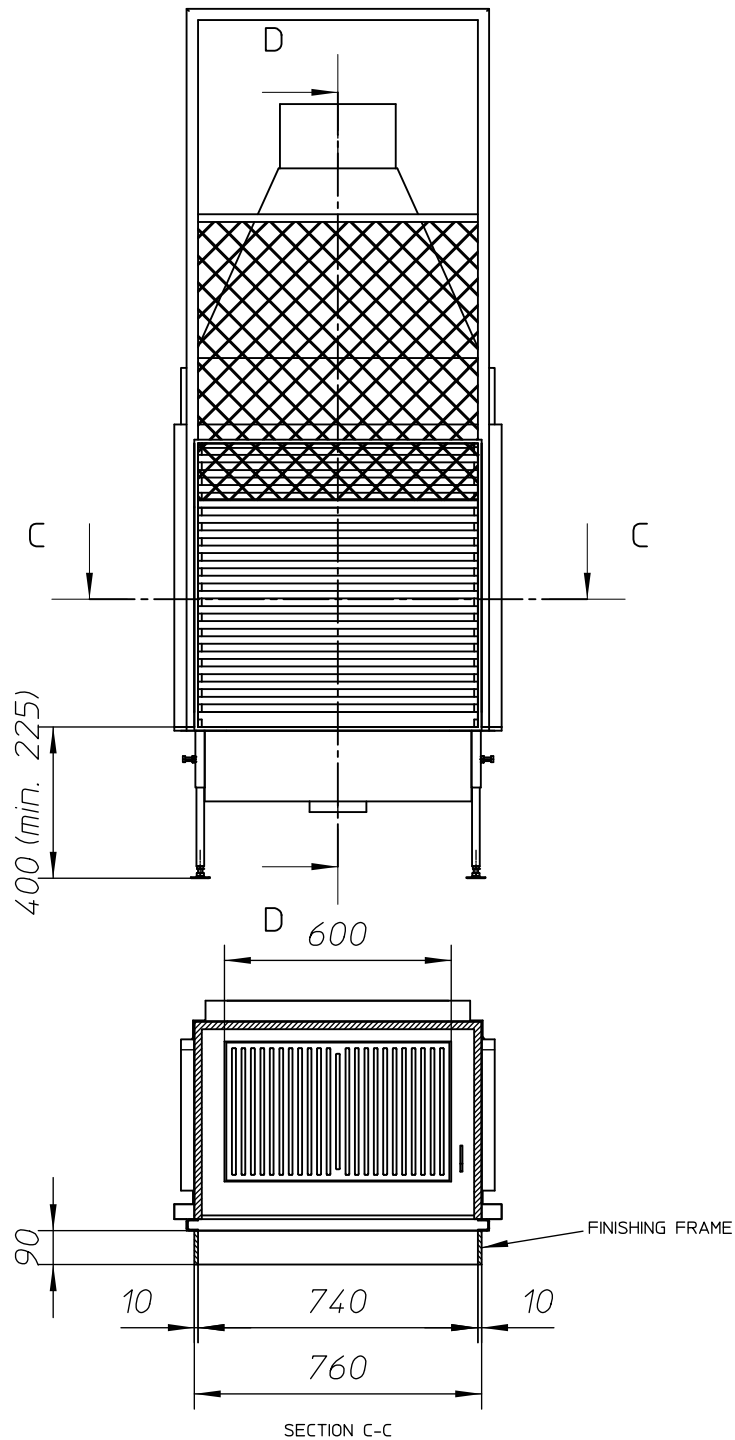




WITH FINISHING FRAME



# URBAN OUTDOORS

UF740-75

## Technical Document

Model: 740-75 W BBQ  
+ liftable fire screen

### Dimensions (mm)

- combustion chamber WxDxH	740 x 530 x 750
- external WxDxH:	866 x 608 x 2300
- stoke grate WxD:	600 x 370
- fresh air:	1 x Ø150

### Specifications

- finishing: heat-resistant black paint
- lockable valve for fresh air and smoke gases
- two-piece cast iron stoke grate
- sliding door in metal wire mesh (black H-R paint)
- finishing: heat-resistant black paint
- interior finishing: ORIGINAL (ribbed cast iron)

### Options

- chimney fan RSV 14
- convection jacket (see options)
- interior finishing: MINIMAL DESIGN
- sliding door in black inox plate

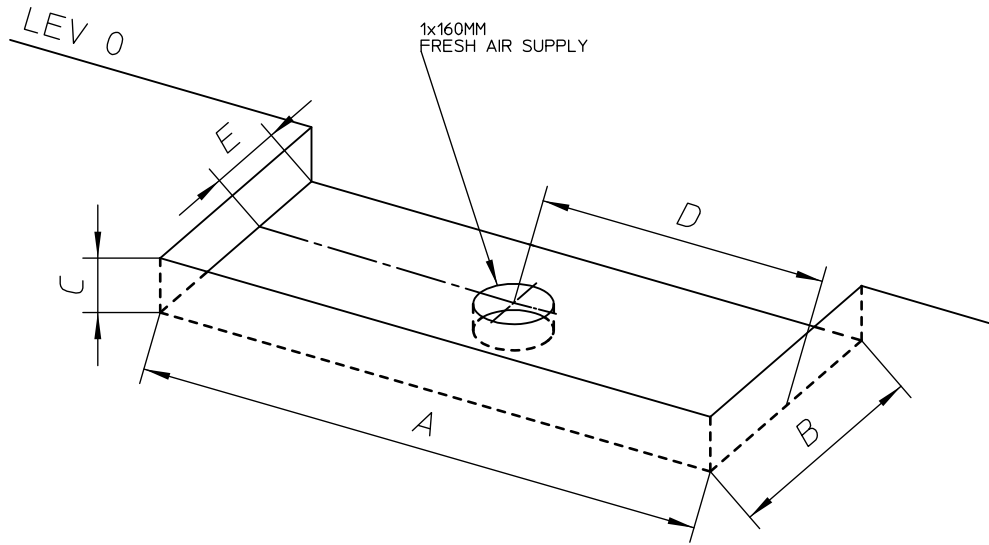
scale 1:20

Rev.  
-1

General dimensional tolerances up to 6mm  
© We reserve the right to modify specifications w/o prior notice

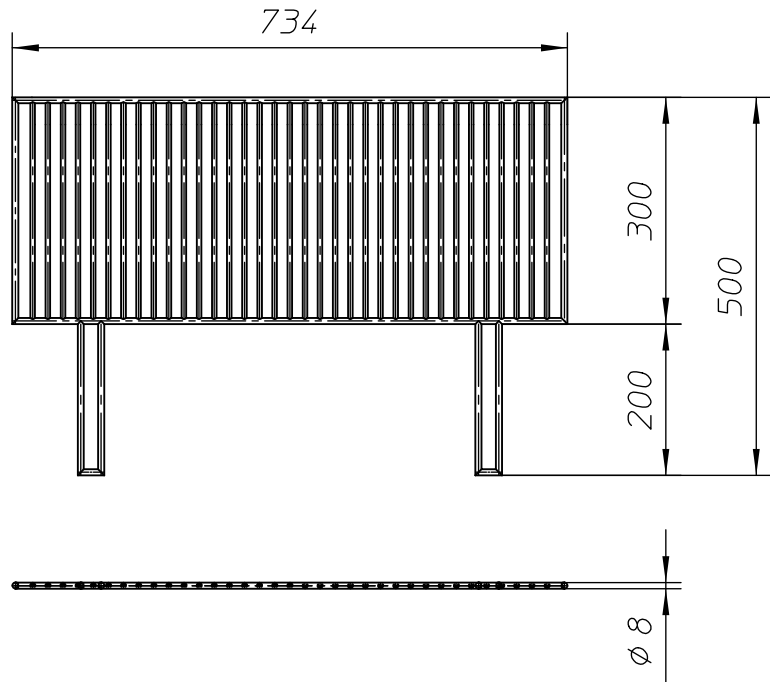
Sheet  
2/3

# TECHNICAL PROVISION



(mm)	A	B	C	D	E
800-50/75 1S	1010	600	225	A/2	360
800-50/75 2S	955	600	225	A/2	360
800-50 3S	960	630	280	A/2	390
800-50/75 T	1010	590	225	A/2	360
800-75 BBQ	1030	600	225	A/2	360

# OPTIONAL BBQ GRILL



# URBAN OUTDOORS

## UF740-75

# Technical Document

Model: 740-75 W BBQ  
+ liftable fire screen

### Dimensions (mm)

- combustion chamber WxDxH: 740 x 530 x 750
- external WxDxH: 866 x 608 x 2300
- stoke grate WxD: 600 x 370
- fresh air: 1 x Ø150

### Specifications

- finishing: heat-resistant black paint
- lockable valve for fresh air and smoke gases
- two-piece cast iron stoke grate
- sliding door in metal wire mesh (black H-R paint)
- finishing: heat-resistant black paint
- interior finishing: ORIGINAL (ribbed cast iron)

### Options

- chimney fan RSV 14
- convection jacket (see options)
- interior finishing: MINIMAL DESIGN
- sliding door in black inox plate

scale 1:20

Rev.  
-1

General dimensional tolerances up to 6mm  
© We reserve the right to modify specifications w/o prior notice

Sheet  
3/3